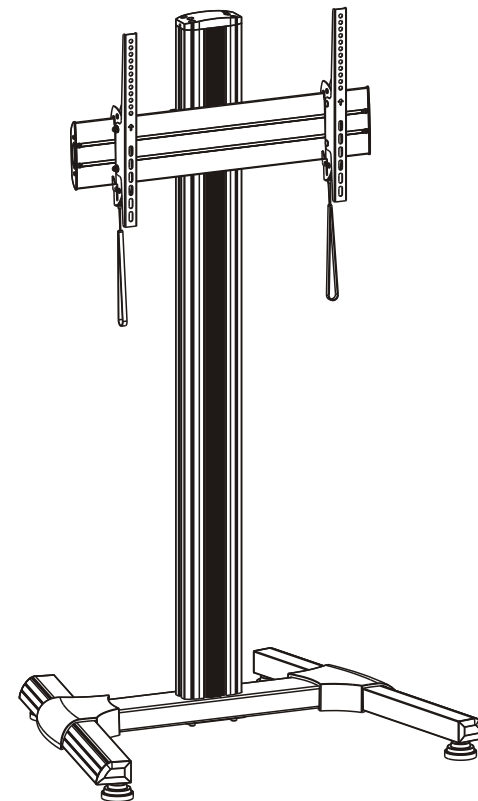





Flat Panel Floor Stand



CAUTION: DO NOT EXCEED RATED LISTED WEIGHT. SERIOUS INJURY OR PROPERTY DAMAGE MAY OCCUR!

TTF02-46TF

 200x200/300x300
400x200/400x400
600x400

 **70"**
MAX

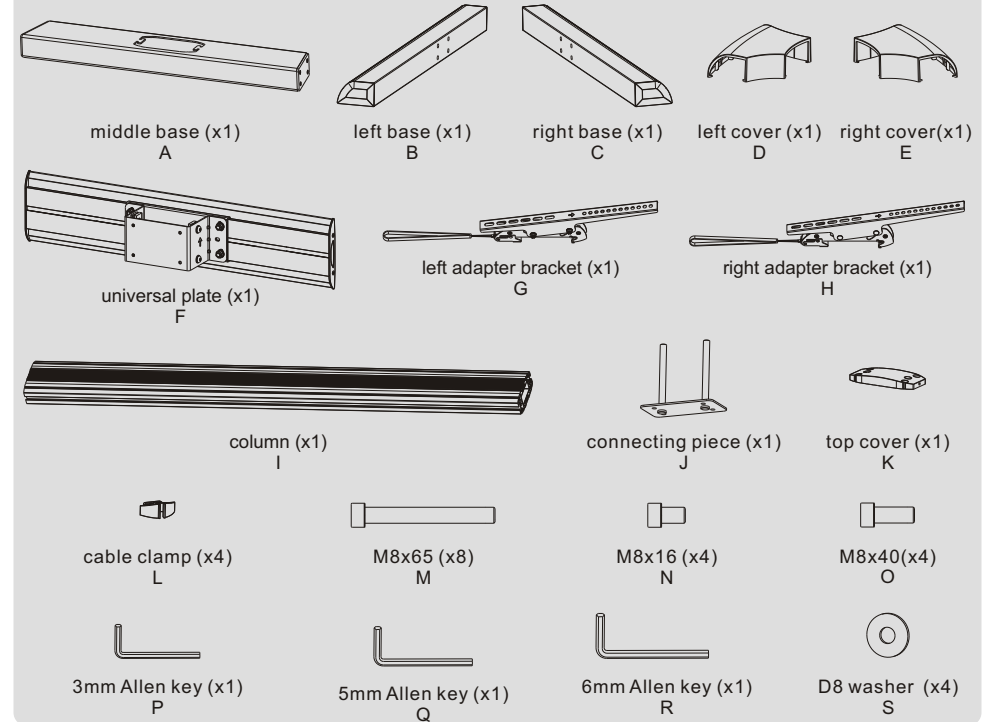
 **80kg**
(176lbs)
RATED

NOTE: Read the entire instruction manual before you start installation and assembly.

WARNING

- Do not begin the installation until you have read and understood all the instructions and warnings contained in this installation sheet. If you have any questions regarding any of the instructions or warnings, please contact your local distributor.
- This mounting bracket was designed to be installed and utilised **ONLY** as specified in this manual. Improper installation of this product may cause damage or serious injury.
- Always use an assistant or mechanical lifting equipment to safely lift and position the equipment.
- Tighten screws firmly, but do not over tighten. Over tightening can cause damage to the items, This greatly reduces their holding power.
- This product is intended for indoor use only. Using this product outdoors could lead to product failure and personal injury.

IMPORTANT: Ensure that you have received all parts according to the component checklist prior to installation. If any parts are missing or faulty, telephone your local distributor for a replacement.

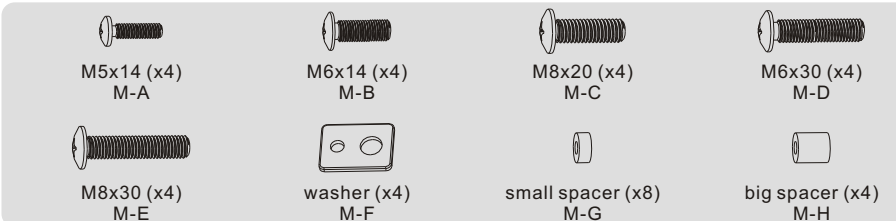


Component

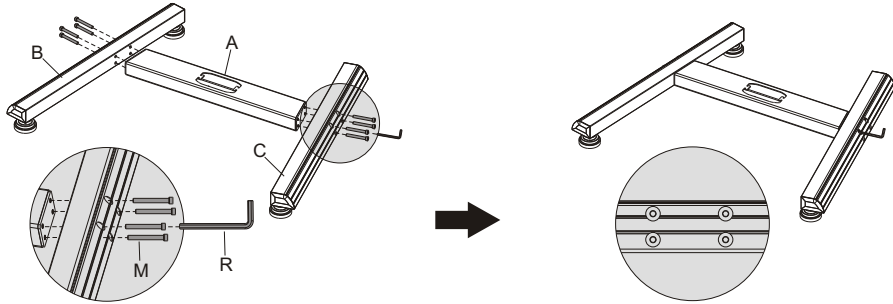


(Peel off the backing paper from the rubber pad and stick the rubber pad on to the supporting foot.)

Package M

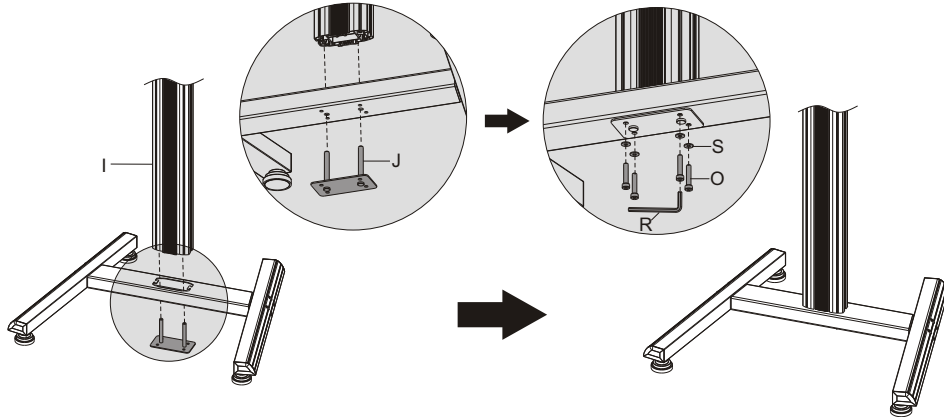


1. Assembling the Base



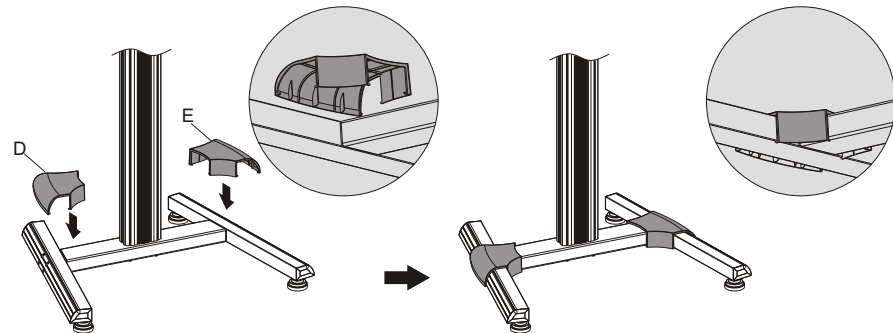
Attach the left and right base to the middle base using the appropriate screws. Tighten all screws with an Allen key.

2. Attaching the Column to the Base

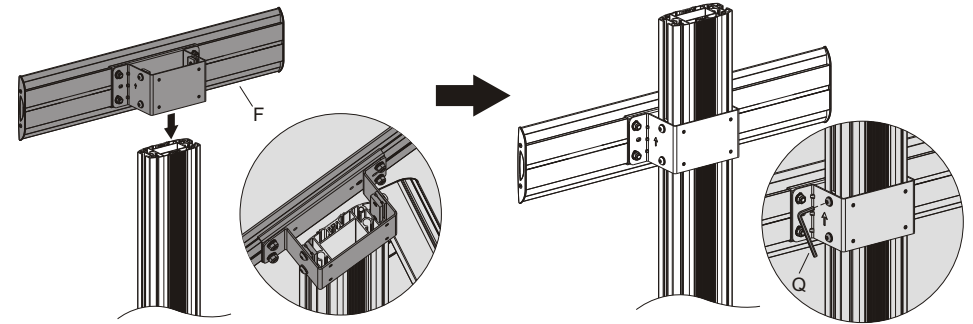


Attach the column to the assembled base using the connecting piece, secure them with the appropriate screws.

3. Installing the Covers

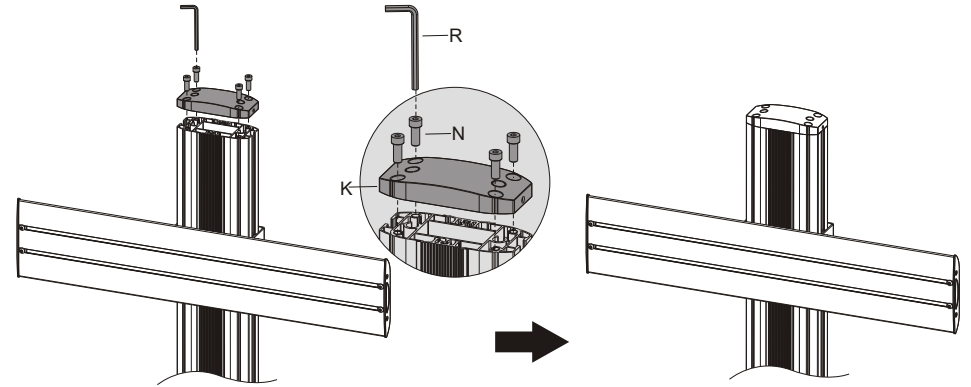


4. Installing the Universal Plate



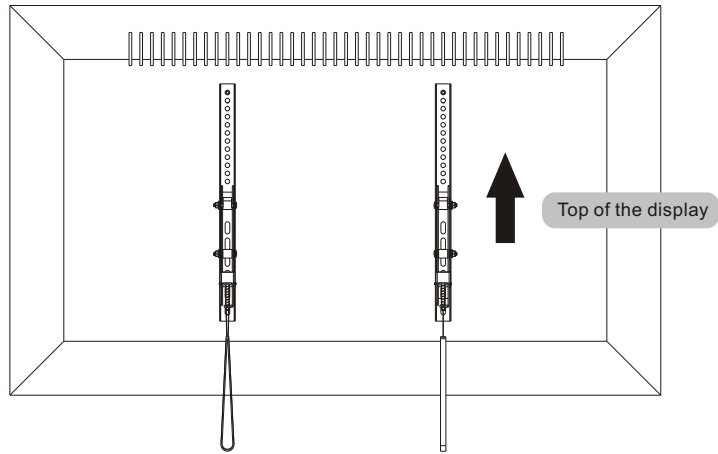
Insert the universal plate to the desired position along the column rails. Tighten all screws to secure it with an Allen key.
NOTE: With the arrow pointing upward.

5. Installing the Top Cover

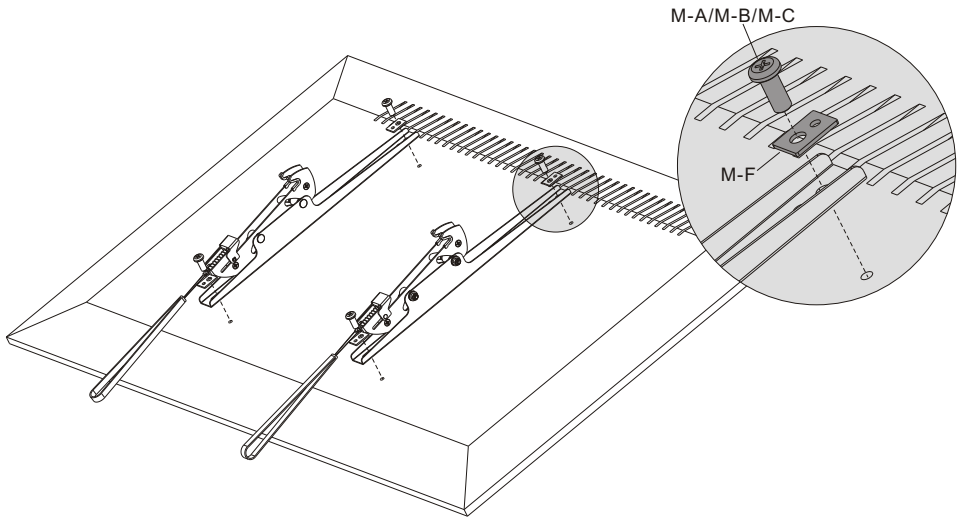


Attach the top cover to the column using the appropriate screws. Tighten all screws with an Allen key.

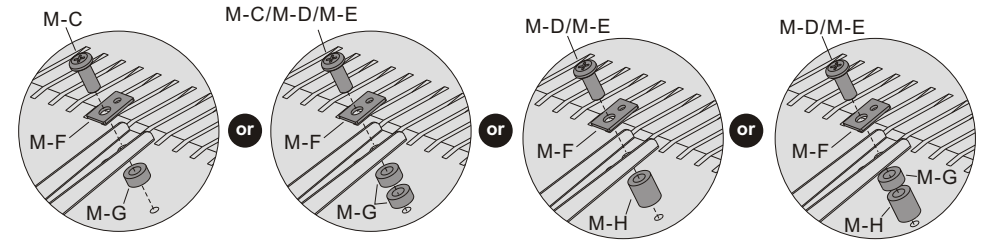
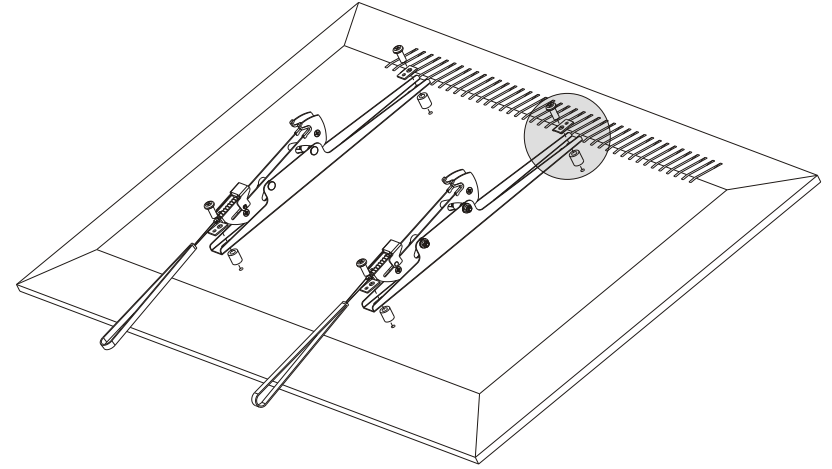
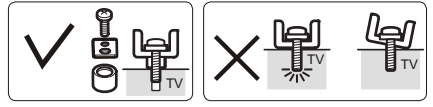
6. Installing the Adapter Brackets



6-1 For Flat Back Screens



6-2 For Recessed Back Screens or to Access A/V Inputs

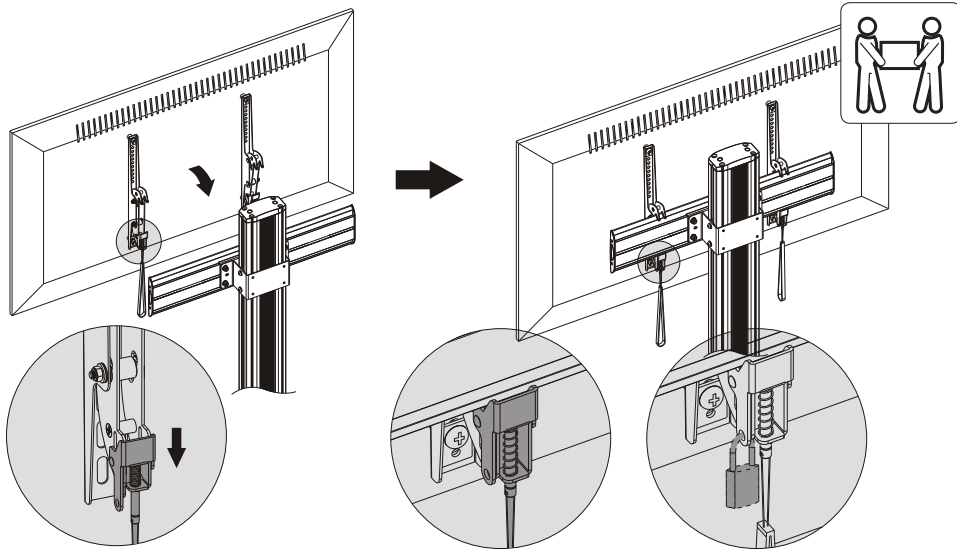


Note: Choose the appropriate screws, washers and spacers (if necessary) according to the type of screen.

- Position the adapter brackets as close as possible to the center of the display.
- Screw the adapter brackets onto the display.

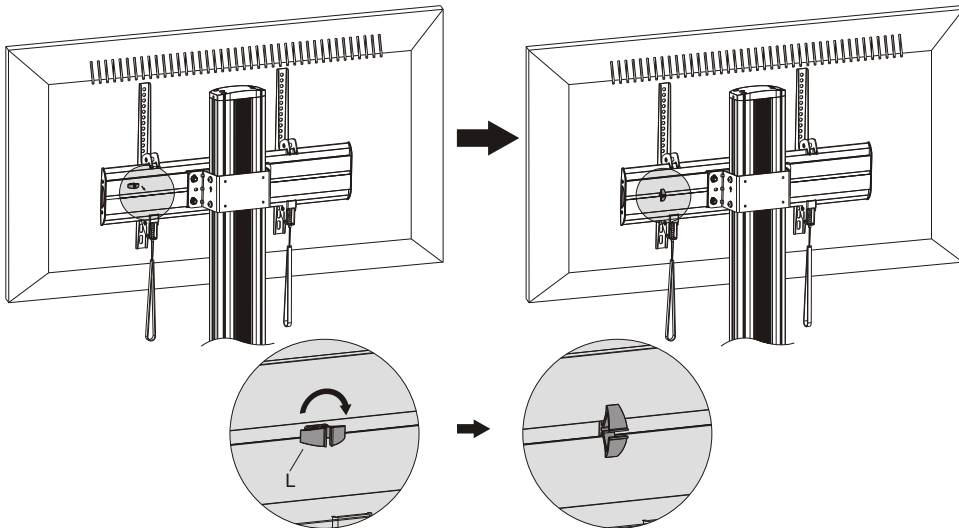
⚠ Tighten all screws but do not over tighten.

7. Hanging the Display onto the Universal Plate

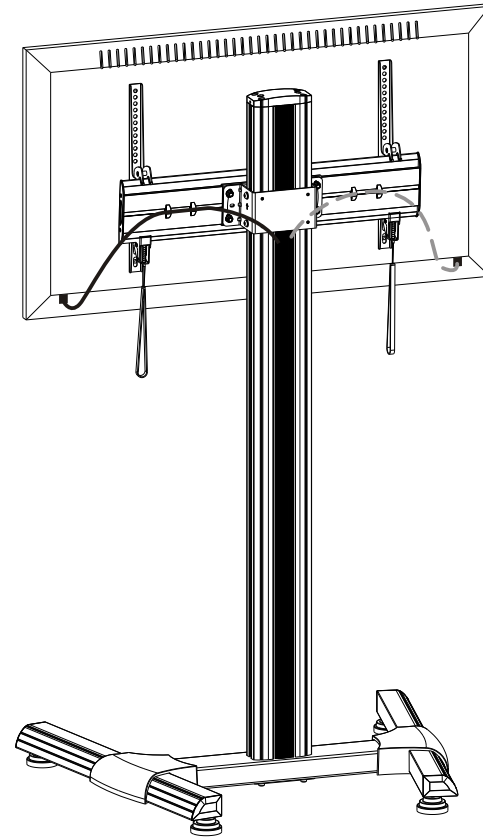


- Lift the display carefully and pull downward two straps at the same time, then hook the adapter brackets to the universal plate. Fasten the adapter brackets to the universal plate by releasing the straps.
- Use the padlock to prevent the display from being stolen (The padlock is not included).

8. Cable Management

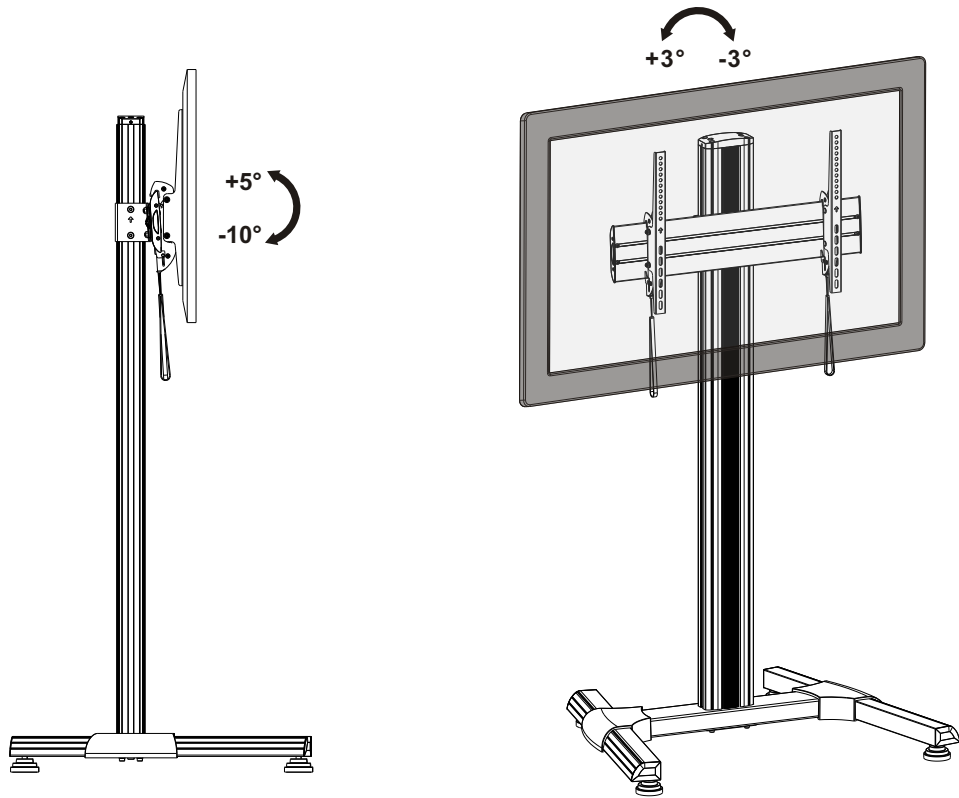


Insert the cable clamps horizontally into the plate slots, then turn the cable clamps to the vertical to secure them.



Run the cables through the cable clamps and the rubber strip.

9. Adjustment



Maintenance

- Check that the bracket is secure and safe to use at regular intervals (at least every three months).
- Please contact your distributor if you have any questions.