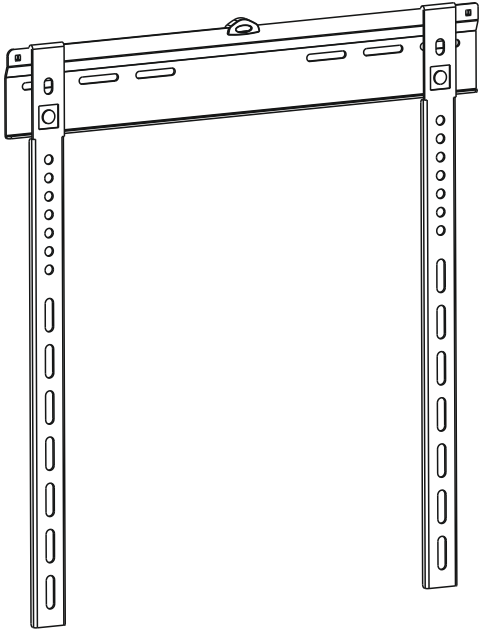








Ultra-slim Fixed Wall Mount



CAUTION: DO NOT EXCEED RATED LISTED WEIGHT. SERIOUS INJURY OR PROPERTY DAMAGE MAY OCCUR!

PRO-SS400	 200x200 300x300 400x200 400x400	 55" MAX	 55kg (121lbs) RATED
PRO-SS800	 200x200/300x300 400x200/400x400 600x400/800x400	 70" MAX	 65kg (143lbs) RATED

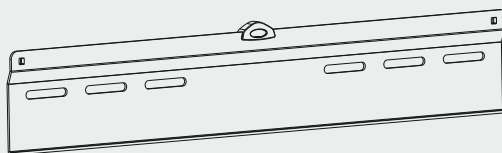
NOTE: Read the entire instruction manual before you start installation and assembly.

WARNING

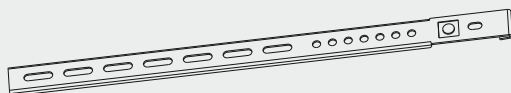
- Do not begin the installation until you have read and understood all the instructions and warnings contained in this installation sheet. If you have any questions regarding any of the instructions or warnings, please contact your local distributor.
- This mounting bracket was designed to be installed and utilised **ONLY** as specified in this manual. Improper installation of this product may cause damage or serious injury.
- This product should only be installed by someone with good mechanical ability who has basic building experience and fully understands this manual.
- Make sure that the supporting surface will safely support the combined weight of the equipment and all attached hardware and components.
- If mounting to wood wall studs, make sure that mounting screws are anchored into the center of the studs. The use of a stud finder is highly recommended.
- Always use an assistant or mechanical lifting equipment to safely lift and position the equipment.
- Tighten screws firmly, but do not over tighten. Over tightening can cause damage to the items, This greatly reduces their holding power.
- This product is intended for indoor use only. Using this product outdoors could lead to product failure and personal injury.

Component Checklist

IMPORTANT: Ensure that you have received all parts according to the component checklist prior to installation. If any parts are missing or faulty, telephone your local distributor for a replacement.



wall plate (x1)
A

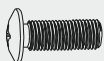


adapter bracket (x2)
B

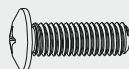
Package M



M5x14 (x4)
M-A



M6x14 (x4)
M-B



M8x20 (x4)
M-C



M6x30 (x4)
M-D



M8x30 (x4)
M-E



washer (x4)
M-F



small spacer (x8)
M-G



big spacer (x4)
M-H

Package W



ST6.3x55 (x4)
W-A

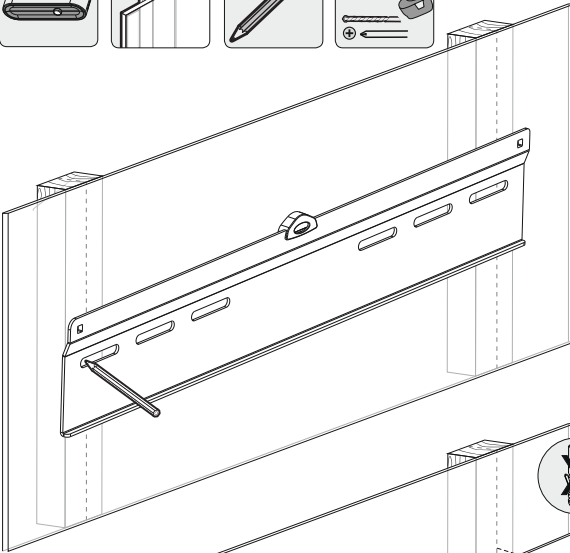
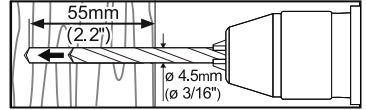
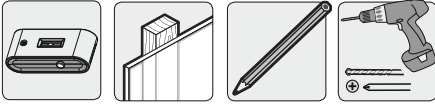


concrete anchor (x4)
W-B

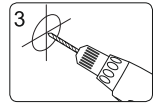


D6 washer (x4)
W-C

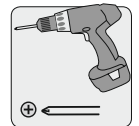
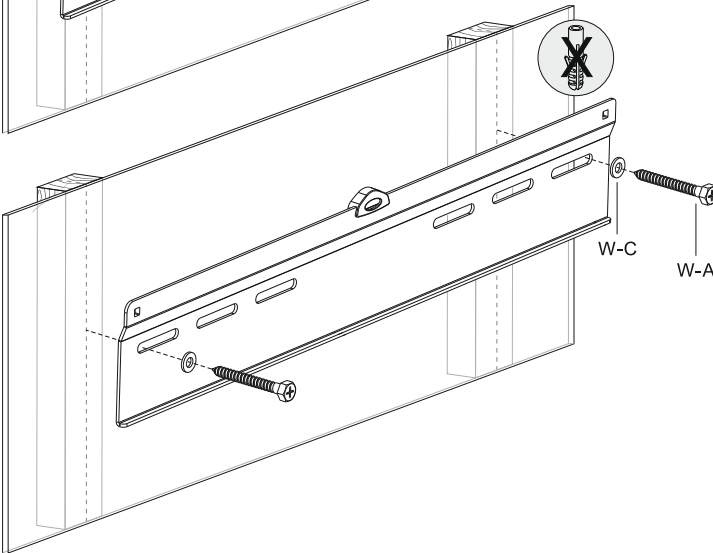
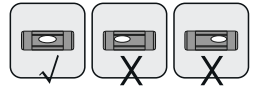
1a. For Wood Stud Wall Mounting



1 Find and mark the exact location of mounting holes



3 Drill pilot holes

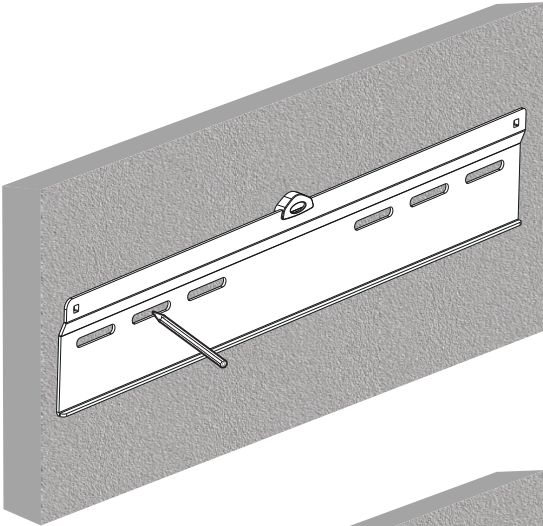
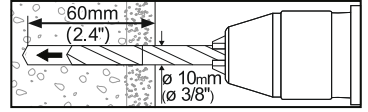


Screw the wall plate onto the wall

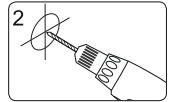
WARNING

- Make sure that mounting screws are anchored into the center of the studs. The use of a stud finder is highly recommended.
- Installers are responsible to provide hardware for other types of mounting situations.
- Installers must verify that the supporting surface will safely support the combined weight of the equipment and all attached hardware and components.

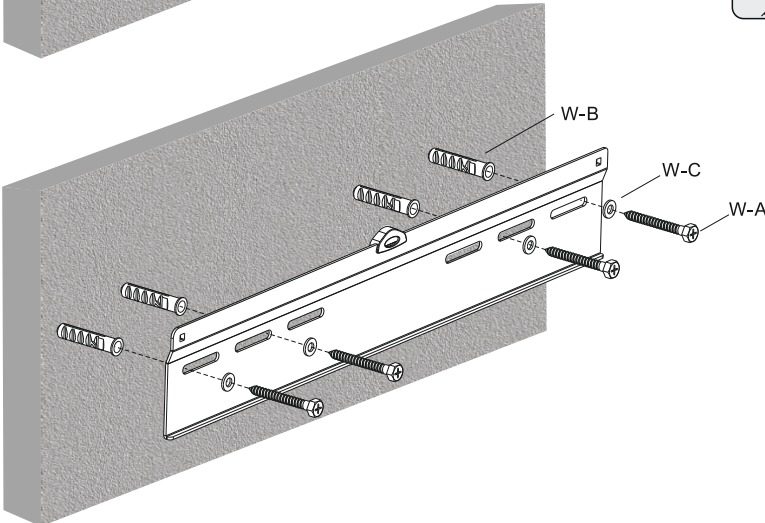
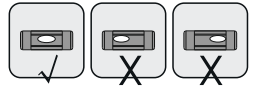
1b. For Solid Brick and Concrete Mounting



1
Mark the exact location of mounting holes



2
Drill pilot holes

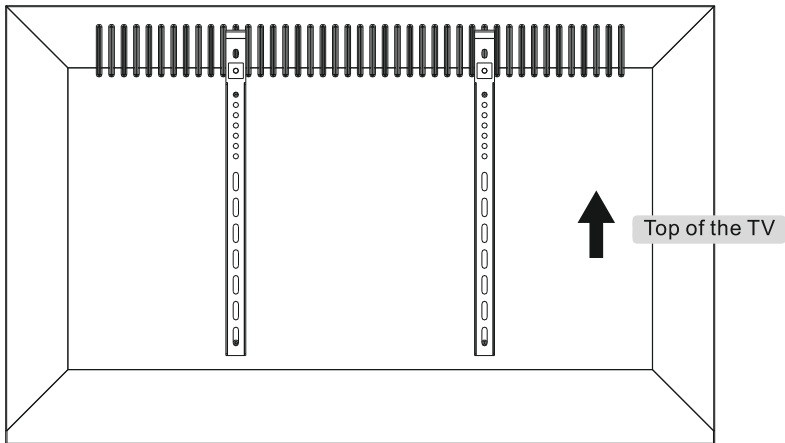


+
Screw the wall plate onto the wall

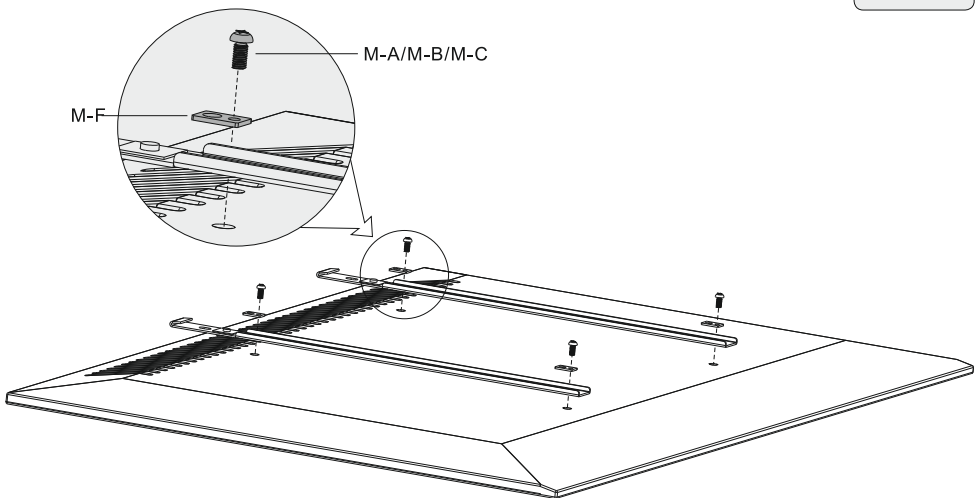
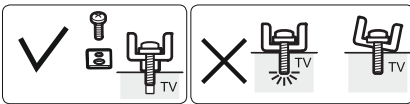
WARNING

Installers must verify that the supporting surface will safely support the combined weight of the equipment and all attached hardware and components.


2. Installing the Adapter Brackets



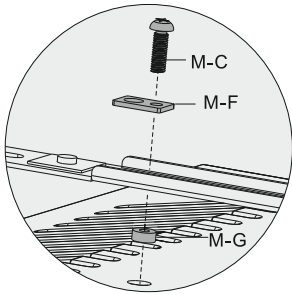
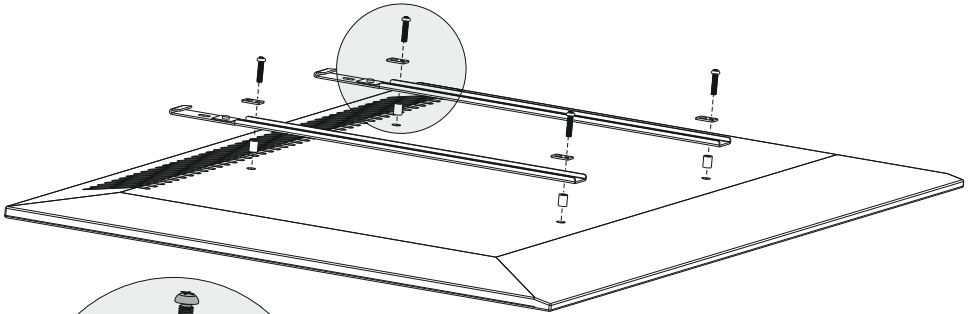
2-1 For Flat Back Screens



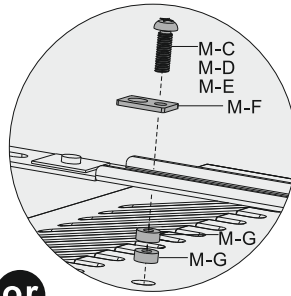
- Position the adapter brackets as close as possible to the middle of the screen.
- Screw the adapter brackets onto the TV.

 **Tighten all screws but do not over tighten.**

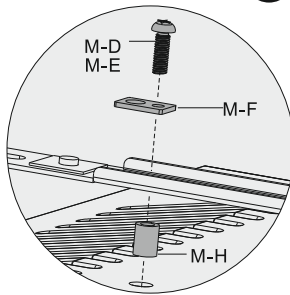
2-2 For Bump-out or Recessed Back Screens



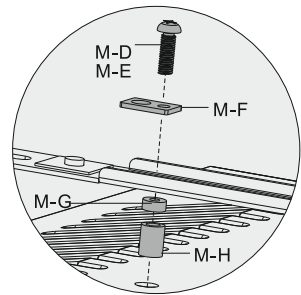
or



or



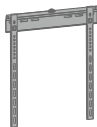
or



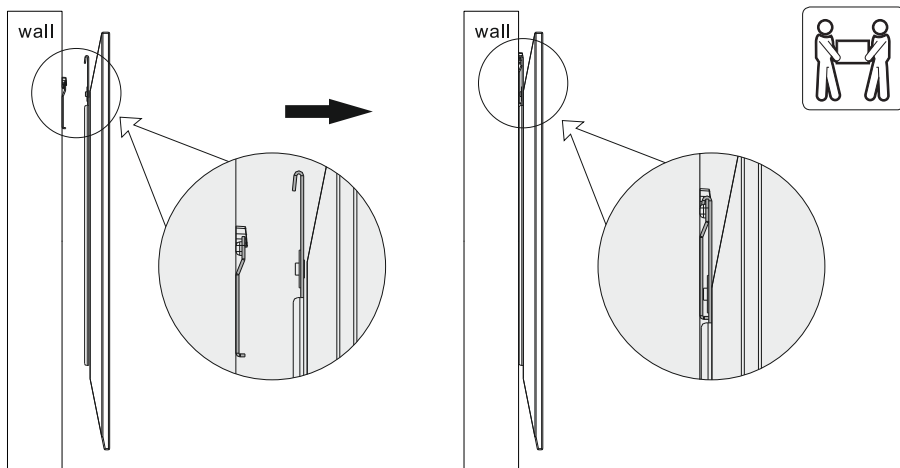
Note: Choose the appropriate screws, washers and spacers (if necessary) according to the type of screen.

- Position the adapter brackets as close as possible to the center of the TV.
- Screw the adapter brackets onto the TV.

 **Tighten all screws but do not over tighten.**



3. Hanging the TV onto the Wall Plate

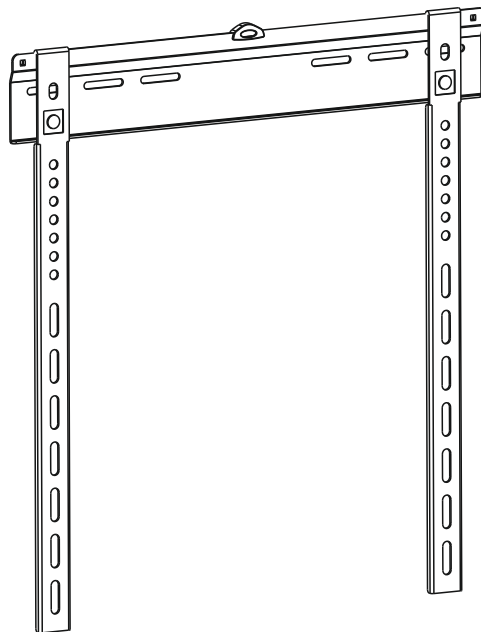


Do not release the TV until the adapter bracket have securely hooked onto the wall plate.



Maintenance

- Check that the bracket is secure and safe to use at regular intervals(at least every three months).
- Please contact your distributor if you have any questions.

Support TV ultraplat



**ATTENTION: NE JAMAIS
DEPASSER LA CAPACITE
DE CHARGE**

PRO-SS400	 200x200 300x300 400x200 400x400	 55" MAX	 55kg (121lbs) RATED
PRO-SS800	 200x200/300x300 400x200/400x400 600x400/800x400	 70" MAX	 65kg (143lbs) RATED



ATTENTION

Ne pas commencer l'installation avant d'avoir lu et compris la notice d'installation. En cas de question, veuillez vous adresser à votre commerçant.

Ce produit n'est prévu que pour l'usage décrit dans la présente notice d'utilisation. Une installation inadaptée peut causer des blessures et des dommages.

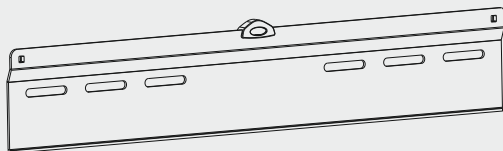
Veuillez vous assurer que la surface de support porte à la fois le poids de ce produit et celui de l'appareil.

Veuillez visser doucement les vis. Les serrer trop fort peut entraîner des dégâts pour le produit.

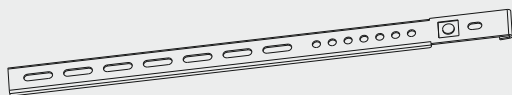
N'utiliser ce produit qu'en intérieur.

Checklist des composants

IMPORTANT: Veuillez vous assurer d'avoir reçu tous les produits. Si ce n'est pas le cas, veuillez contacter votre commerçant.



(x1)
A

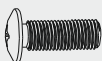


(x2)
B

Package M



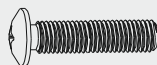
M5x14 (x4)
M-A



M6x14 (x4)
M-B



M8x20 (x4)
M-C



M6x30 (x4)
M-D



M8x30 (x4)
M-E



washer (x4)
M-F



(x8)
M-G



(x4)
M-H

Package W



ST6.3x55 (x4)
W-A

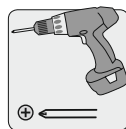
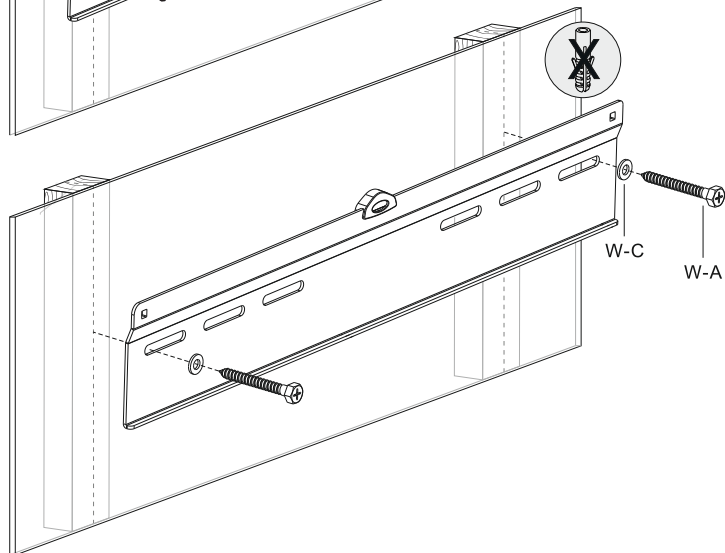
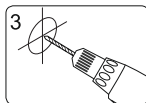
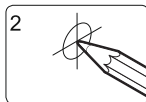
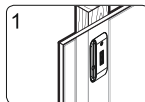
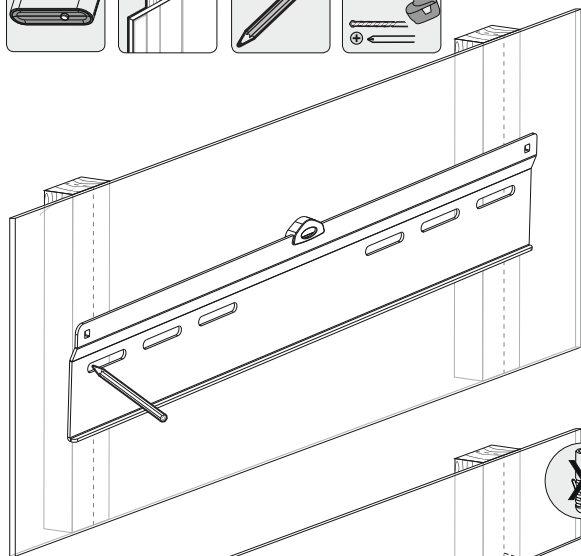
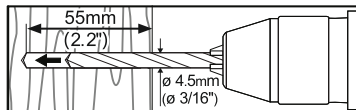
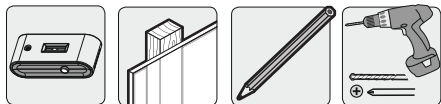


(x4)
W-B

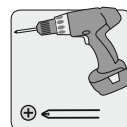
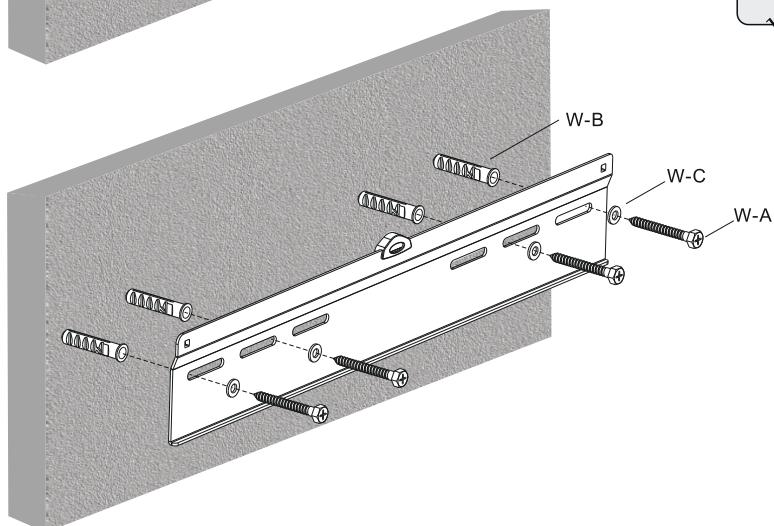
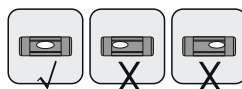
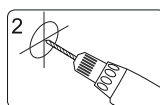
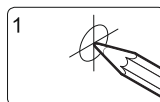
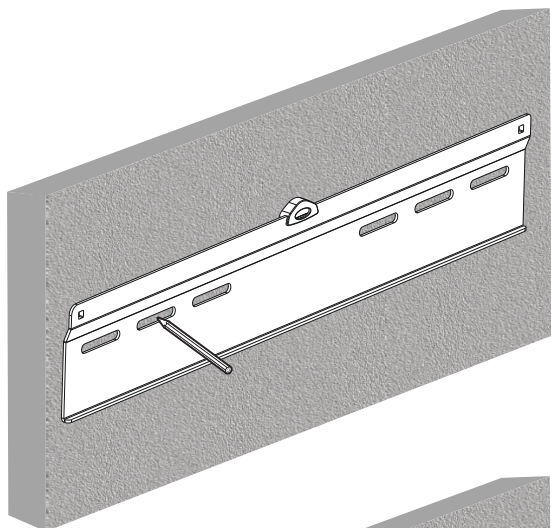
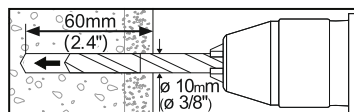


D6 (x4)
W-C

1a. Pour le montage sur des murs en bois



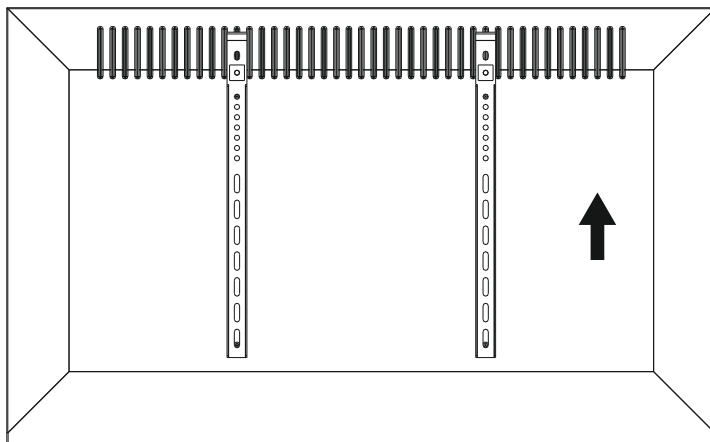
1b. Pour le montage sur des murs en briques ou en béton



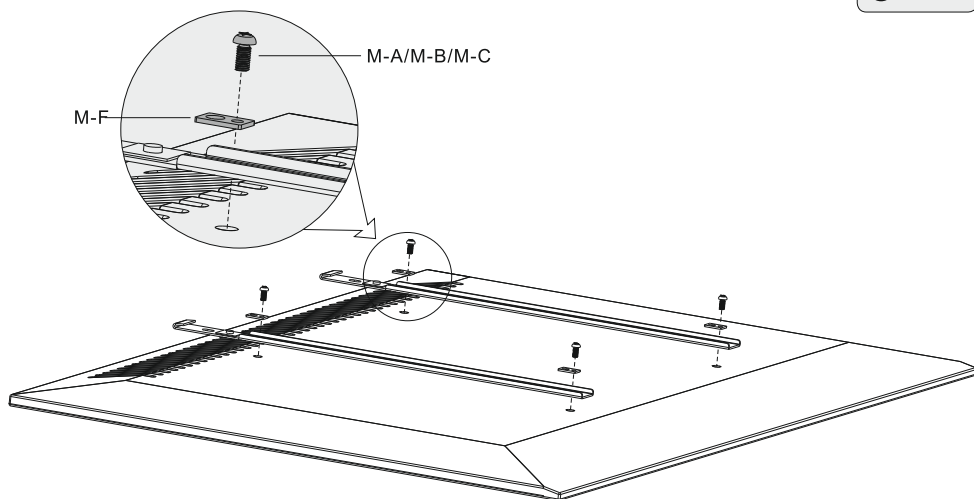
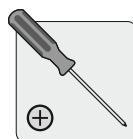
ATTENTION

Assurez-vous que la surface de soutien supporte en sécurité le poids combiné de l'équipement et de tous les matériaux et composants associés.

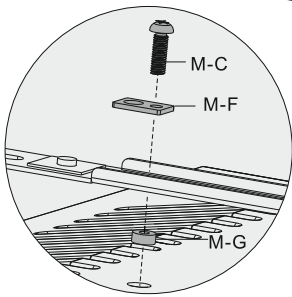
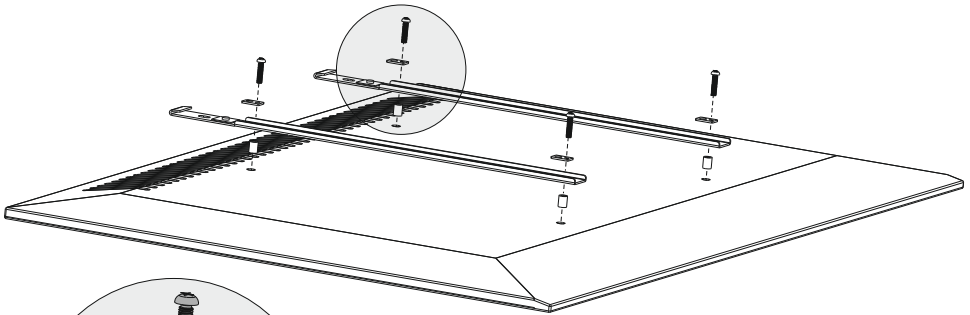
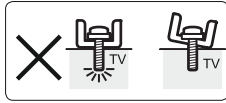
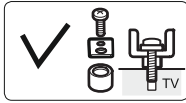
2. Installer le support



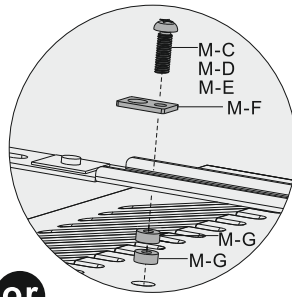
2-1 Pour les moniteurs avec le dos plat



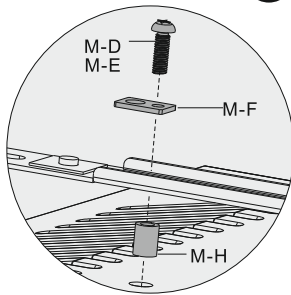
2-2 Pour les moniteurs sans un dos plat



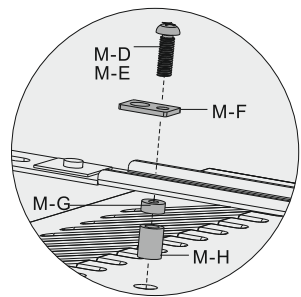
or

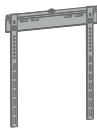


or

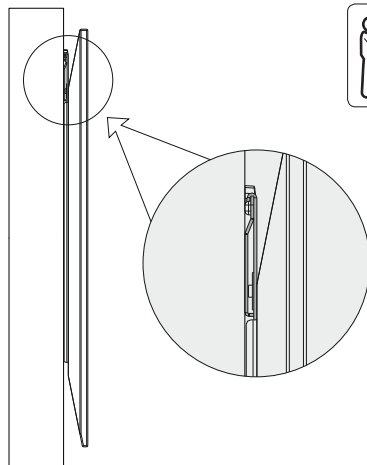
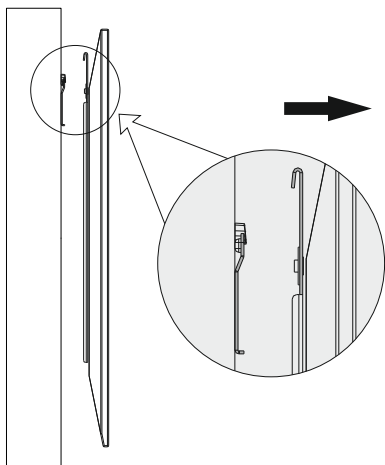


or

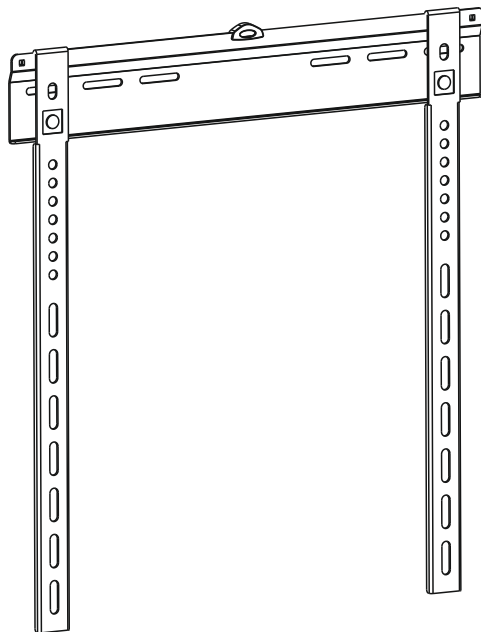










3. Installer le moniteur



TV Wandhalterung ultraflach



ACHTUNG: DIE TRAGKRAFT DER HALTERUNG NIEMALS ÜBERSCHREITEN

PRO-SS400	 200x200 300x300 400x200 400x400	 55" MAX	 55kg (121lbs) RATED
PRO-SS800	 200x200/300x300 400x200/400x400 600x400/800x400	 70" MAX	 65kg (143lbs) RATED



WARNUNG

Beginnen Sie die Installation nicht, bevor Sie die Installationsanleitung gelesen und verstanden haben. Bei Fragen wenden Sie sich an Ihren Händler.

Dieses Produkt ist nur für den in dieser Anleitung beschriebenen Zwecke geeignet. Unsachgemäße Installation kann Schäden und Verletzungen verursachen.

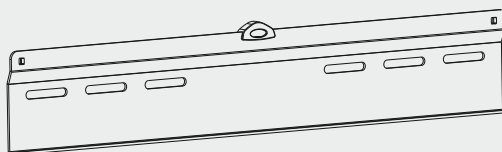
Bitte stellen Sie sicher, dass die tragende Oberfläche das Gewicht dieses Produktes inklusive angebrachte Geräte trägt.

Bitte die Schrauben vorsichtig anziehen. Zu festes Anziehen kann Schäden am Produkt verursachen.

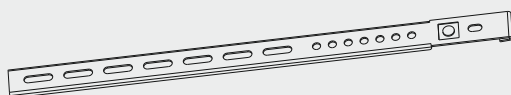
Dieses Produkt nur in Innenräumen verwenden.

Komponenten-Checkliste

Wichtig: Stellen Sie sicher, dass Sie alle Produkte erhalten haben. Ansonsten kontaktieren Sie bitte Ihren Händler.



(x1)
A

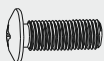


(x2)
B

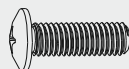
Package M



M5x14 (x4)
M-A



M6x14 (x4)
M-B



M8x20 (x4)
M-C



M6x30 (x4)
M-D



M8x30 (x4)
M-E



washer (x4)
M-F



(x8)
M-G



(x4)
M-H

Package W



ST6.3x55 (x4)
W-A

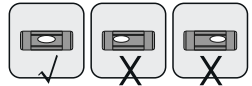
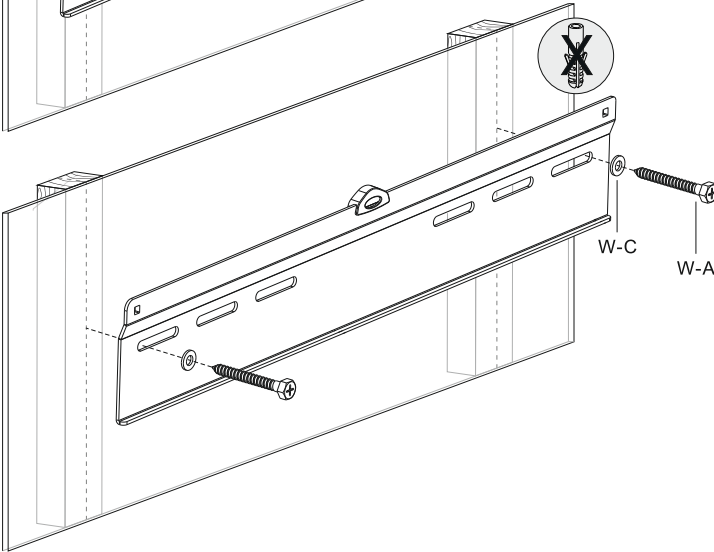
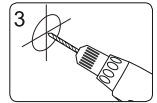
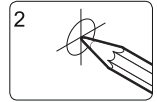
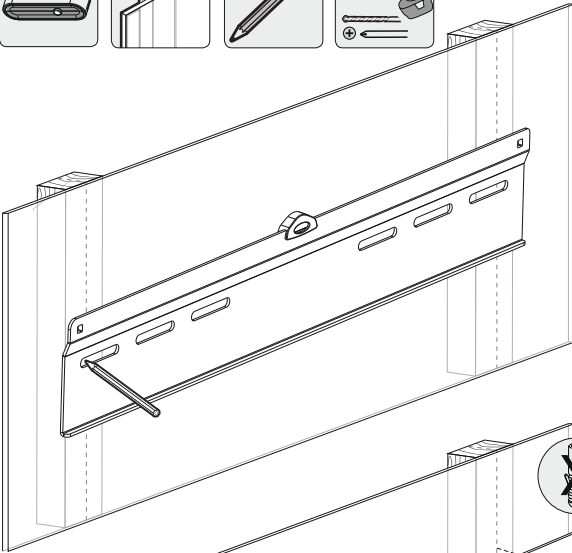
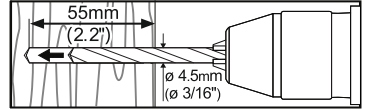
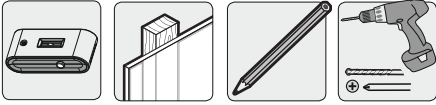


(x4)
W-B

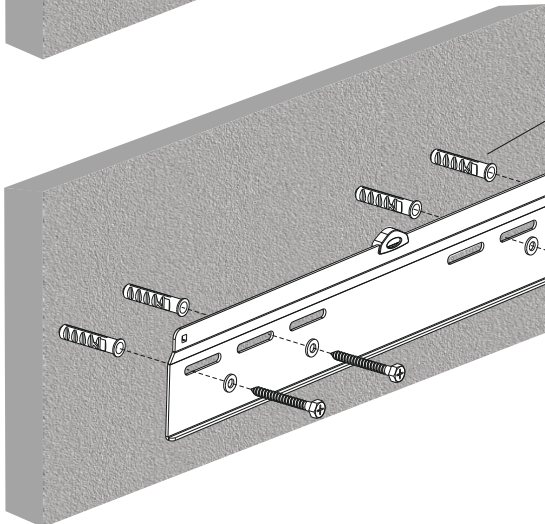
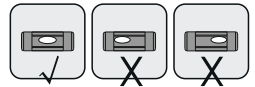
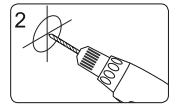
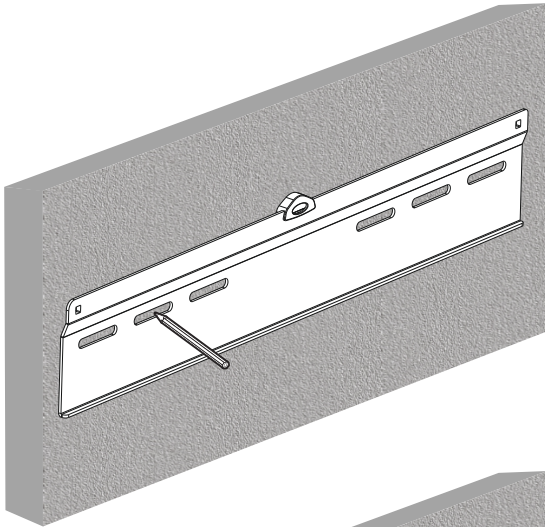
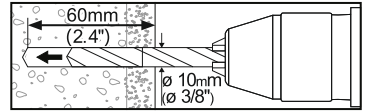


D6 (x4)
W-C

1a. Für die Montage an Holzwänden



1b. Für die Montage an Backstein oder Betonwänden



W-B

W-C

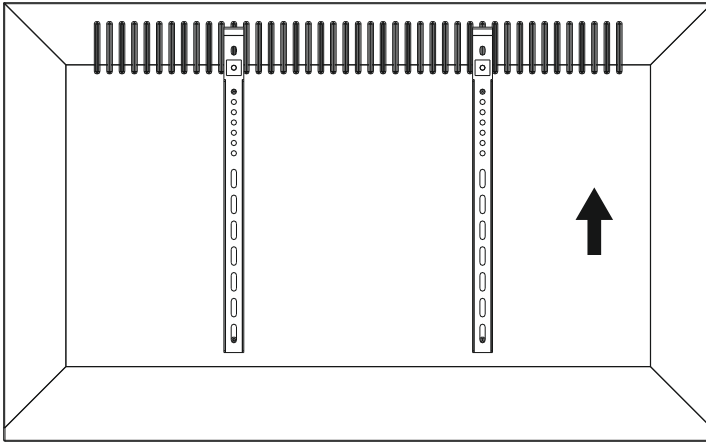
W-A



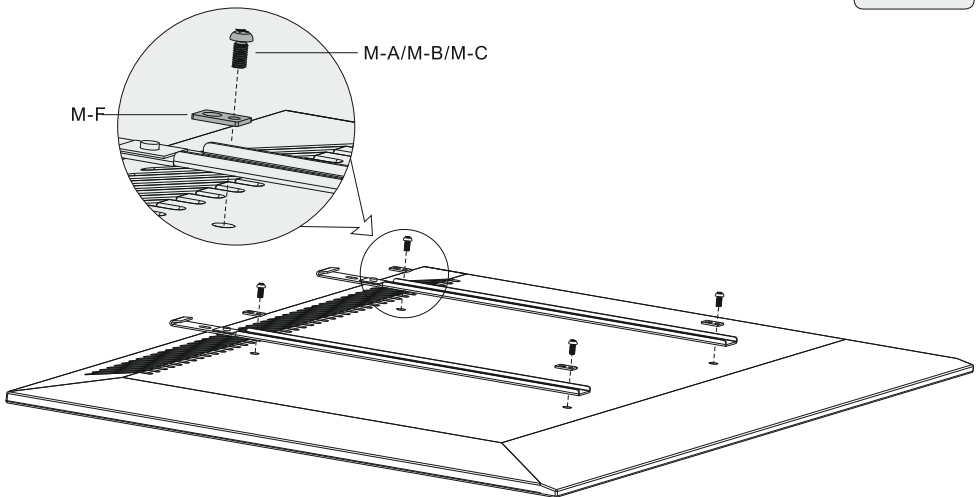
WARNUNG

Bitte stellen Sie sicher, dass die tragende Oberfläche das Gewicht dieses Produktes inklusive angebrachte Geräte trägt.

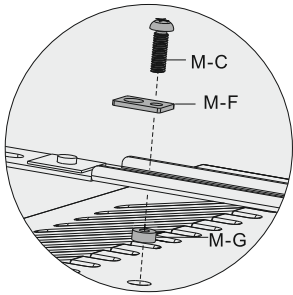
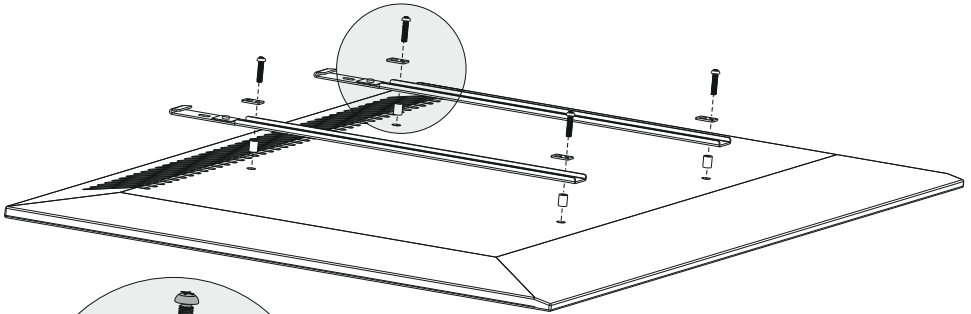
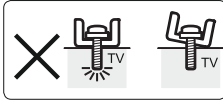
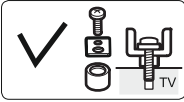
2. Halterung montieren



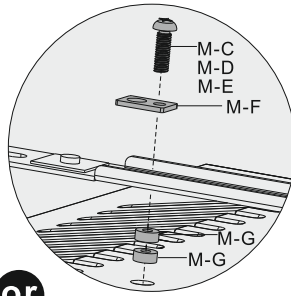
2-1 Für Monitore mit flacher Rückseite



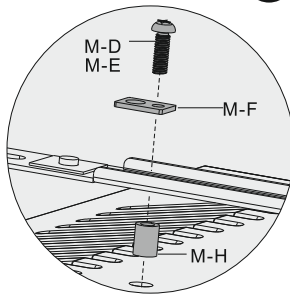
2-2 Für Monitore ohne flache Rückseite



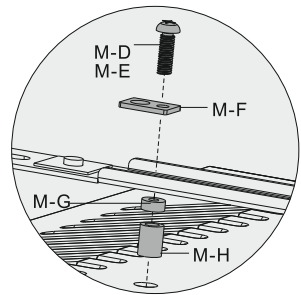
or

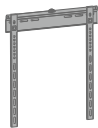


or

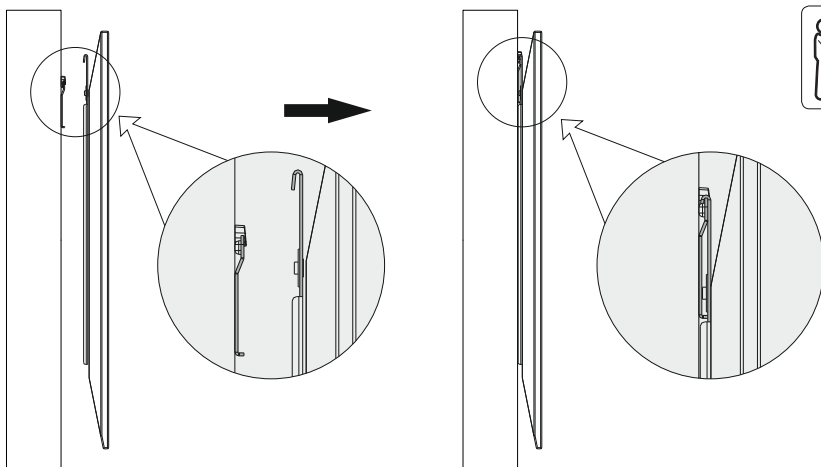


or

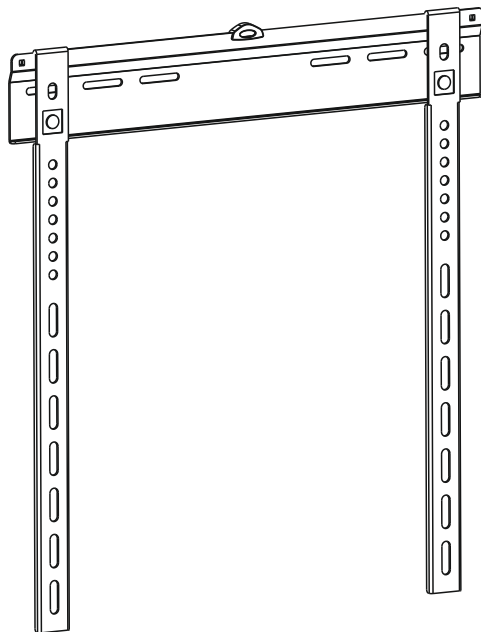






3. Monitor an die Wandplatte hängen



Supporto TV ultra piatto



**ATTENZIONE: MAI
SUPERARE LA
CAPACITÀ CARICO**

PRO-SS400	 200x200 300x300 400x200 400x400	 55" MAX	 55kg (121lbs) RATED
PRO-SS800	 200x200/300x300 400x200/400x400 600x400/800x400	 70" MAX	 65kg (143lbs) RATED



ATTENZIONE

Non iniziare l'installazione prima di aver letto e compreso la guida all'installazione. In caso di domande si prega di rivolgersi al commerciante.

Questo prodotto è adatto esclusivamente agli scopi descritti nel presente manuale. Un'installazione impropria potrebbe causare danni o ferite.

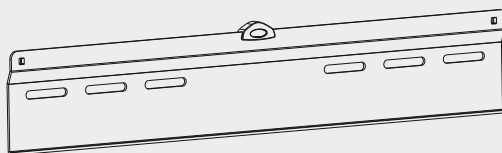
Si prega di assicurarsi che la superficie portante sostenga il peso di questo prodotto, inclusi i dispositivi installati.

Si prega di serrare attentamente le viti. L'eccessivo serraggio può provocare danni al prodotto.

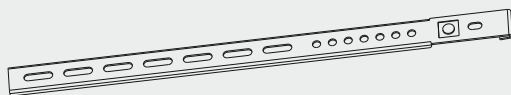
Utilizzare il prodotto soltanto in ambienti interni.

Lista di controllo die componenti

IMPORTANTE: Assicurarsi di aver ricevuto tutti i prodotti. In caso contrario si prega di contattare il commerciante.



(x1)
A

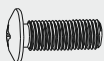


(x2)
B

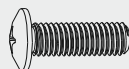
Pacchetto M



M5x14 (x4)
M-A



M6x14 (x4)
M-B



M8x20 (x4)
M-C



M6x30 (x4)
M-D



M8x30 (x4)
M-E



washer (x4)
M-F



(x8)
M-G



(x4)
M-H

Pacchetto W



ST6.3x55 (x4)
W-A

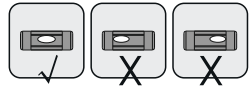
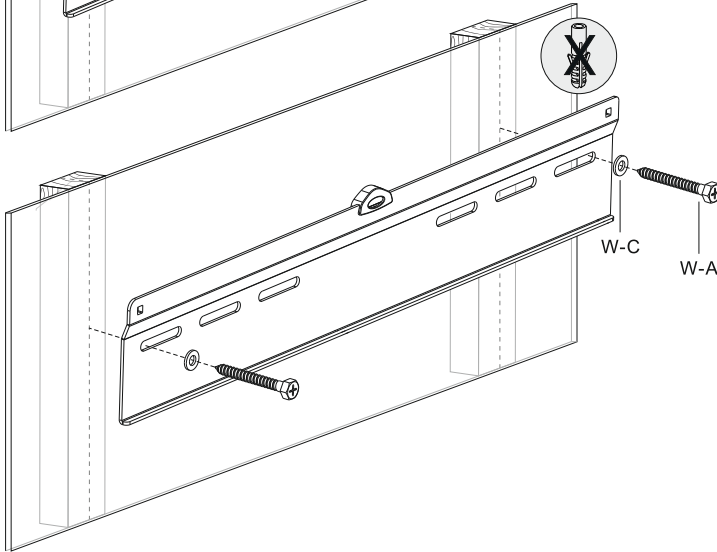
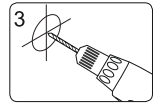
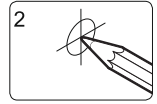
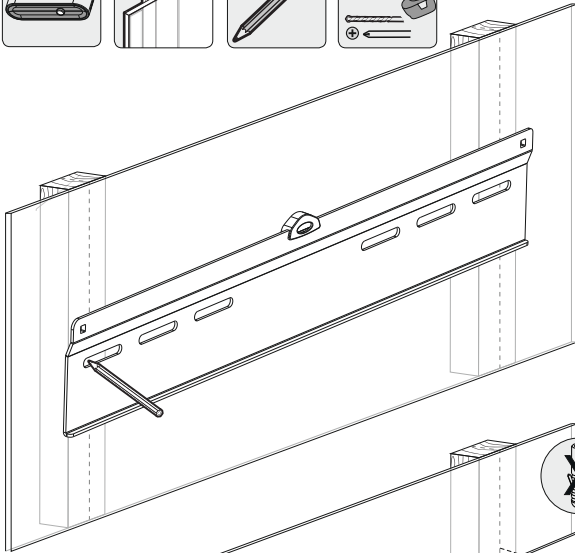
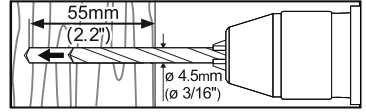
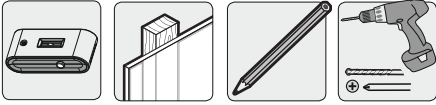


(x4)
W-B

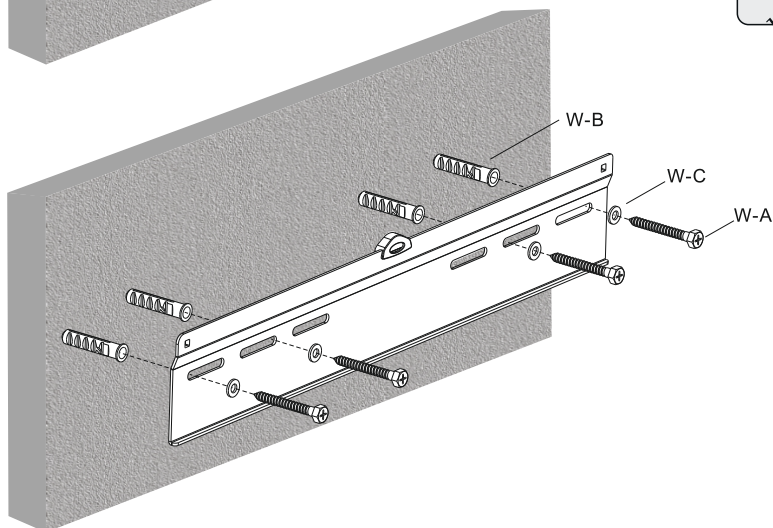
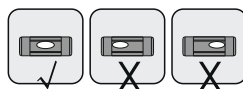
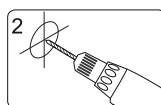
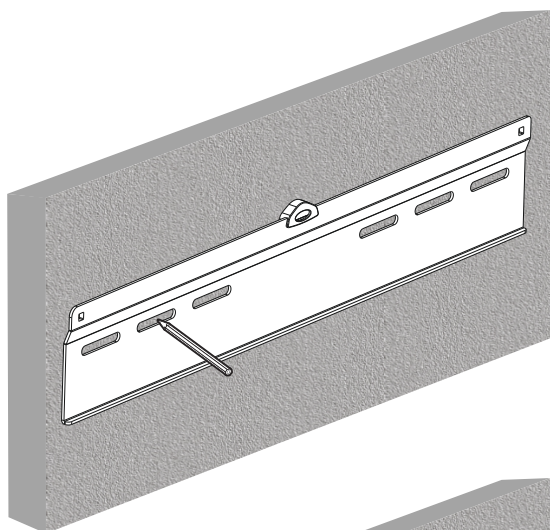
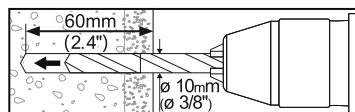


D6 (x4)
W-C

1a. Per l'installazione su pareti in legno



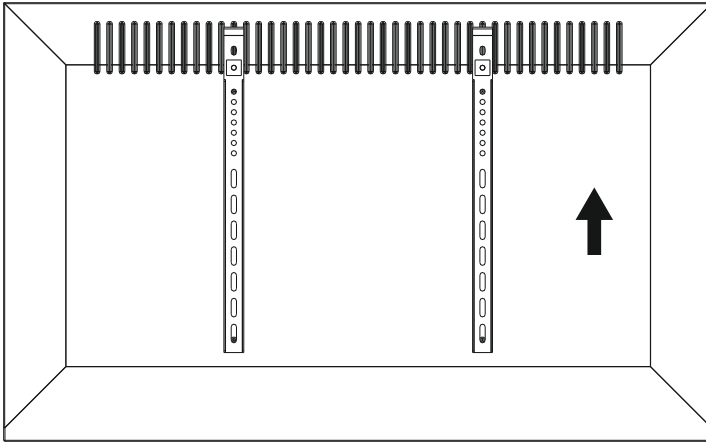
1b. Pour montaggio su pareti di mattoni o calcestruzzo



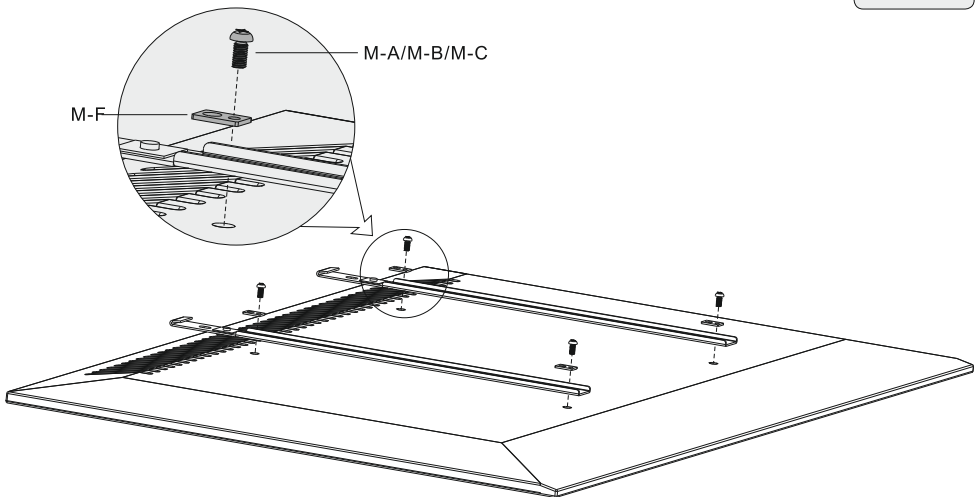
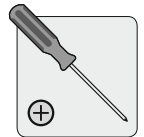
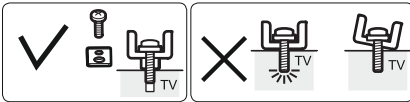
ATTENZIONE

Assicurarsi di aver ricevuto tutti i prodotti. In caso contrario si prega di contattare il commerciante.

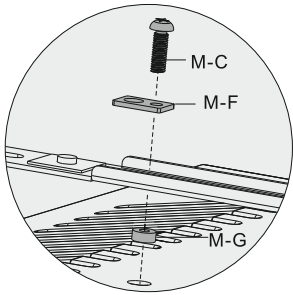
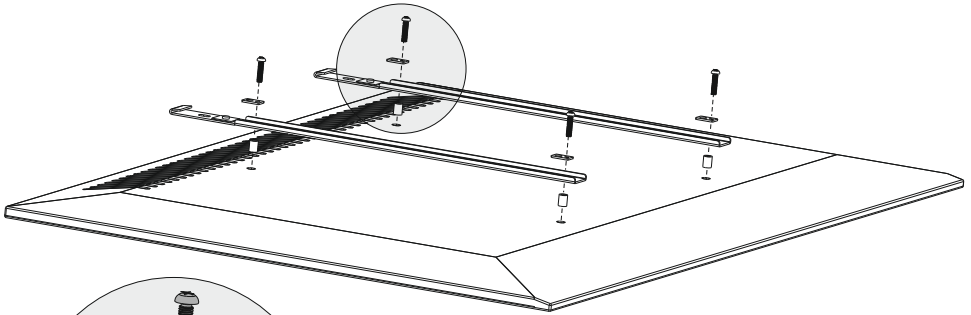
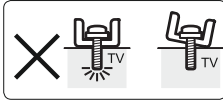
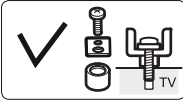
2. Installare la staffa



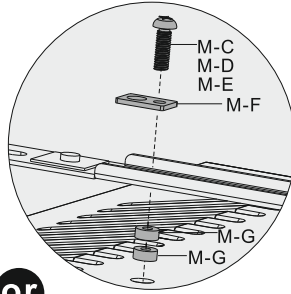
2-1 per i monitor con schiena piatta



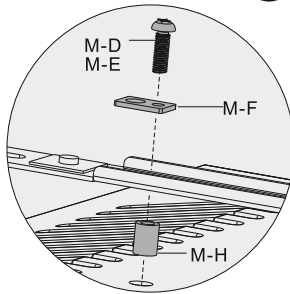
2-2 Per i monitor senza schiena piatta



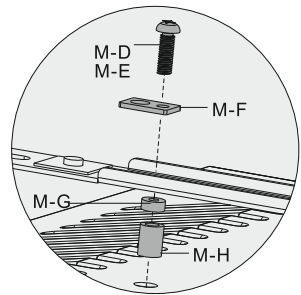
or

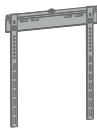


or



or





3. Installare Monitor

