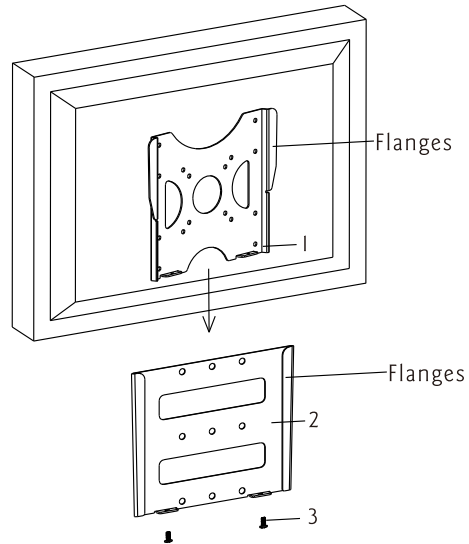


Part 3-Attaching adapter bracket to wall plate

Attach adapter bracket(2) to wall plate(1) by sliding flanges of adapter bracket(2) into flanges of wall plate(1).Secure with two safety screws(3). Tighten screws firmly. Do not overtighten.



Thank you for choosing our product

Warning

This product contains small items that could be a choking hazard if swallowed. Keep these items away from young children!

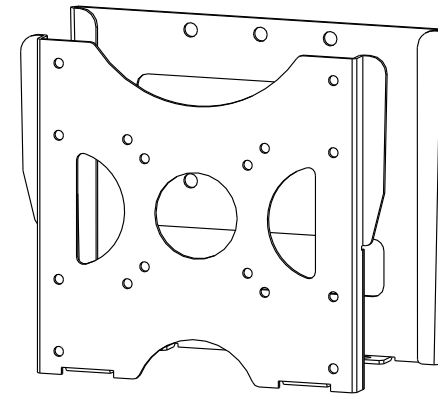
1. Make sure these instructions are read and completely understood before attempting installation. If you are unsure of any part of this installation, contact a professional installer for assistance.

2. The wall or mounting surface must be capable of supporting the combined weight of the mount and the display; otherwise the structure must be reinforced.

3. Safety gear and proper tools must be used. A minimum of two people are required for this installation. Failure to use safety gear can result in property damage, serious injury or death.

INSTALLATION GUIDE

Item No.:ECO-008N

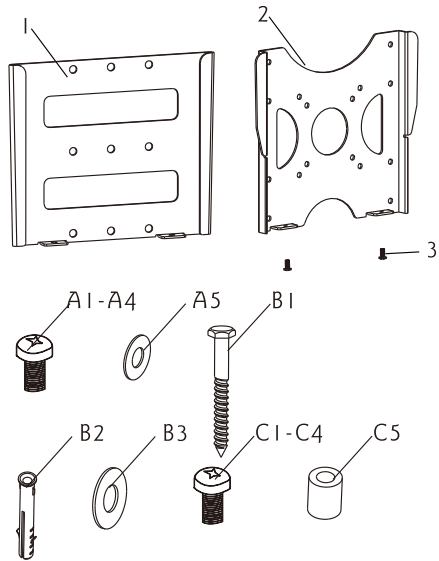


- TV Size Range: 10" to 37"
- Maximum Weight Capacity: 25 kg /55lbs
- Easy to install: sliding plate operation
- Low profile: only 19mm from wall
- Universal VESA mount

CAUTION

This product was designed to be installed on wood stud walls and solid concrete walls. Before installing make sure the supporting surface will support the combined load of the equipment and hardware. Never exceed the Maximum Load Capacity. This product is intended for indoor use only. Use of this product outdoors could lead to product failure or personal injury.

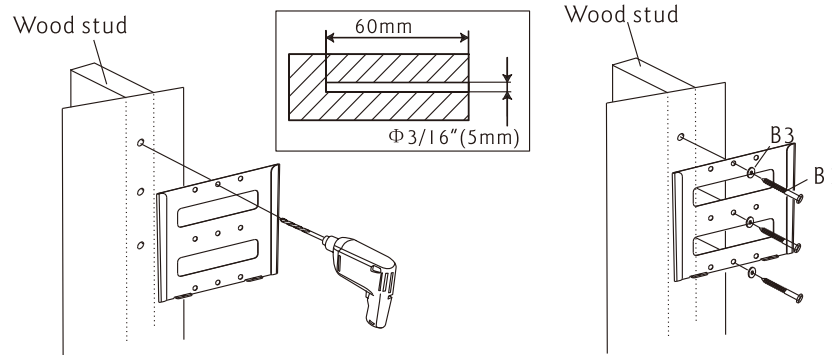
Hardware Kit:



ID	Qty	Description
1	1	Wall plate
2	1	Adapter bracket
3	2	Safety bolt
A1	4	M4x12mm bolt
A2	4	M5x12mm bolt
A3	4	M6x12mm bolt
A4	4	M8x16mm bolt
A5	4	M5 Washer
B1	3	Drywall bolt
B2	3	Concrete Anchor
B3	3	Washer
C1	4	M4x25mm bolt
C2	4	M5x25mm bolt
C3	4	M6x25mm bolt
C4	4	M8x25mm bolt
C5	4	Spacer

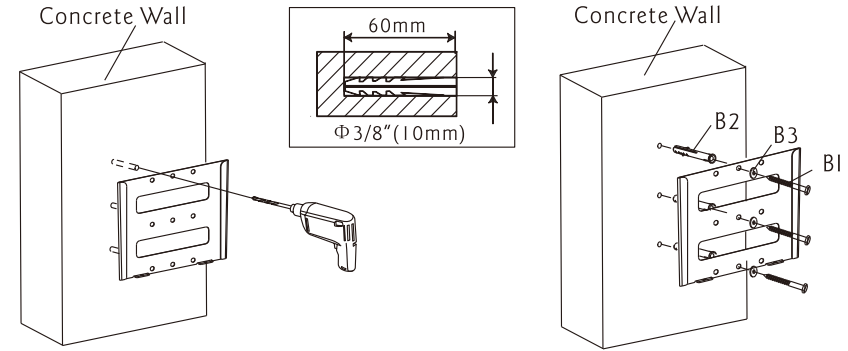
Part 1a-Wood stud mounting

Use wall plate(1) as a template, make sure it is level, and mark three mounting holes along the center line of the wood stud. Drill three 3/16"(5mm) dia. holes 60mm deep. Level wall plate(1) and attach to wall with three long bolts(B1) and three washers(B3). Tighten screws firmly. Do not overtighten.



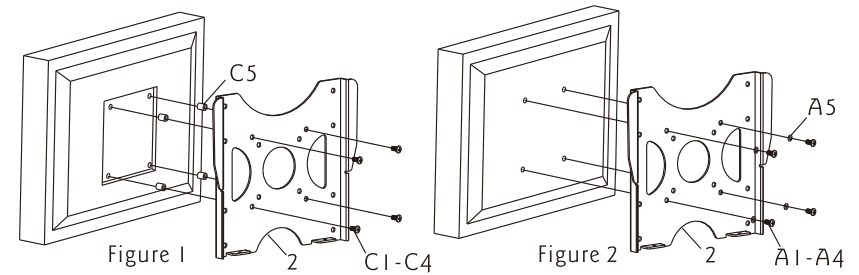
Part 1b-Concrete wall mounting

Level wall plate(1) and use wall as a template to mark three holes. Drill three 3/8" (10mm) dia. holes 60mm deep. Insert three anchors(B2) into holes and secure wall plate with three long bolts(B1) and three washers(B3). Tighten screws firmly. Do not overtighten.



Part 2-Attaching adapter bracket to screen

Determine the proper VESA mounting configuration for your screen using detail 1. If attaching to screen with recessed back select the small(C1), medium(C2 or C3) or large(C4) screws. Attach adapter bracket(2) to screen using four selected screws and four spacers(C5) as shown in figure 1. If attaching to screen with flat back select the small(A1), medium(A2 or A3) or large(A4) screws. Attach adapter bracket(2) to screen using four selected screws and four washers(A5) as shown in figure 2. Tighten screws firmly. Do not overtighten.



If use C1,C2, please only use C5,
if use C3,C4, please don't use C5

If use A1,A2, please only use A5,
if use A3,A4, please don't use A5